

FEATURES

- Wide Bandwidth
- Low Power Consumption
- Low Noise Figure
- Miniature Sizes, Field Removable connector
- Compact/Rugged Thin-Film Construction



APPLICATIONS

- Microwave Radio & VSAT
- Military & Space
- Test Instrumentation
- Fiber Optics

SPECIFICATIONS@25°C:

Part Number	Frequency Range (GHz)	Gain (dB.Min)	SS Flatness (±dB.Max.)	N.F (dB.Max)	P1dB (dBm.min)	VSWR Max	Current@ 12-15 VDC (mA. Typ)	Case Type
MBM0501G3030	0.05-1.5	30	2	4	30	2.2:1	28V/200	PM26-15
MBM0301G2530	0.1-3	25	2(Typ)	/	30	1.5/2(Typ)	28V/0.3A	PM67-2
MBM0401G1824	0.1-4	18	2	4.8	24	2/2.3	350	BH38
MBM0601G1823	0.1-6	18	1.5	5	23	2.3:1	340	BH2
MBM1801G2020	0.1-18	20	2	7	20	2.3:2.5	295	DH4
MBM1801G2530	0.1-18	25	2(Typ)	/	30	1.5/29Typ)	600	PM76-9
MBM0604G3025	0.4-6	30	2	5	23	2.2:1	300	DH4
MBM0502G2018	0.5-2	20	2	3.5(Typ.)	18	2:1	220	BH2
MBM0520G3020	0.5-2	30	1.5	3.5	20	2:1	250	DH4
MBM0502G3020	0.5-2	30	1.5	3.5	20	2:1	250	BH3/BH4
MBM0502G4130	0.5-2	41	1	3	30	2:1	900	DH24
MBM0502C4130	0.5-2	41	1.5	3	30	2:1	900	DH25
MBM0506G4525	0.5-6	45	2	6	23	2.2:1	400	DH6
MBM0805G4020	0.5-8	40	2.5	4.5	20	2:1	250	BH4
MBM0518G1225	0.5-18	12	2	6	25	2.5:1	550	DH4
MBM0518G1624	0.5-18	16	2	6	24	2:1	500	DH4
MBM0518G2025	0.5-18	20	2	6	25	2.5:1	450	DH4
MBM0706G2831	0.7-6	28	2.5(Typ)	/	31	1.5/2(Typ)	2.4A	PM66-4
MBM0806G3025	0.8-6	30	2	5	25	2:1	500	DH4
MBM0102G2020	1-2	20	1	2	20	2:1	150	BH2
MBM0102G2920	1-2	29	1.3	3	20	2:1	150	BH3/BH4
MBM0102G4030	1-2	40	1.5	4	30	/	500	DH4
MBM0102G4039	1-2	40	2	7	39	1.5:1	28V/5A	BH17
MBM0104G2620	1-4	26	1.5	2	20	2:1	240	BH3
MBM0104G3027	1-4	30	1	10	27	2.5:1	1000	BH8



WIDE BAND MEDIUM POWER AMPLIFIER

Part Number	Frequency Range (GHz)	Gain (dB.Min)	SS Flatness (±dB.Max.)	N.F (dB.Max)	P1dB (dBm.min)	VSWR Max	Current@ 12-15 VDC (mA. Typ)	Case Type
MBM0118G2120	1-18	21-28	2	5.5	20	2.2:1	500	DH4
MBM0118G2820	1-18	28-36	2	5	20	2.2:1	380	DH4
MBM0118G3027	1-18	30	1.5	/	27	2:1(Typ.)	500	PM67
MBM0118G3520	1-18	35	2.5	5.5	20	2.2:1	150	BH3/BH4
MBM0140G2520	1-40	25	3(Typ)	/	20	2.5:1(Typ)	800	BH23
MBM0102G4520	1.1-2.3	45	1	4	20	2:1	300	BH4
MBM0203G4520	2-3	45	1.5	1.5	20	15dB Min	500	DH4
MBM0204G1820	2-4	18	1.4	4.5	20	2:1	150	BH3/BH4
MBM0204G2326	2-4	23	1.5	5	26	2:1	8V/200	BH3/BH4
MBM0204G2327	2-4	23	1.5	5	27	2:1	250	BH3/BH4
MBM0204G2523	2-4	25	1.3	4	23	2:1	100	BH3/BH4
MBM0204G2530	2-4	25	1.5	5	30	2:1	100	BH3/BH4
MBM0204G2827	2-4	28	1.5	5	27	2:1	450	BH3/BH4
MBM0204G2527	2-4	25	1.5	5	27	2:1	100	BH3/BH4
MBM0204G3120	2-4	31	1.5	4	20	2:1	150	BH3/BH4
MBM0204G3422	2-4	34	/	5	22	/	150	BH2
MBM0204G3520	2-4	35	1.5	4	20	2:1	150	BH3/BH4
MBM0204G3123	2-4	31	1.5	4	23	2:1	100	BH3/BH4
MBM0204G3223	2-4	32	1.8	3.5	23	2:1	100	BH3/BH4
MBM0204G3527	2-4	35	1.75	5.5	27	2:1	100	BH3/BH4
MBM0204G3530	2-4	35	2	5	30	2:1	100	BH3/BH4
MBM0204G3820	2-4	38	1.5	4	20	2:1	100	BH3/BH4
MBM0204G3823	2-4	38	1.8	4	23	2:1	100	BH3/BH4
MBM0204G4033	2-4	40	2	5	33	2:1	100	BH3/BH4
MBM0204C5033	2-4	50	1.5	1.5	33	2:1	1.6A	DH17
MBM0204G5033	2-4	50	1.5	1.5	33	2:1	2.1A	DH24
MBM0204G5133	2-4	50	1.5	1.5(Typ.)	33	2:1	2A	DH20
MBM0204G3020	2-4	30	1.2	3.5	20	2:1	250	BH3/BH4
MBM0204G4039	2-4	40	2	7	39	1.5:1	28V/5A	BH17
MBM0206G1823	2-6	18-22	1.5	7	23	2:1	300	BH2
MBM0206G2423	2-6	24	1.5	6	23	2:1	500	DH4
MBM0206G2523	2-6	25	1.5	5	23	2:1	150	BH4
MBM0206G2527	2-6	25	1.5	5	27	2:1	150	BH8
MBM0206G2529	2-6	25	1.5	5	29	2:1	100	BH3/BH4
MBM0206G3030	2-6	30	2	5	30	2:1	100	BH3/BH4



WIDE BAND MEDIUM POWER AMPLIFIER

Part Number	Frequency Range (GHz)	Gain (dB.Min)	SS Flatness (±dB.Max.)	N.F (dB.Max)	P1dB (dBm.min)	VSWR Max	Current@ 12-15 VDC (mA. Typ)	Case Type
MBM0206G3430	2-6	34	2	5	30	2:1	1100	BH3/BH4
MBM0206G3530	2-6	35	1.75	5.5	30	2:1	150	DH6
MBM0206G3527	2-6	35	2	5	27	2:1	150	DH4
MBM0206G3523	2-6	35	2	5	23	2:1	150	DH4
MBM0208G1820	2-8	18	1.8	4.5	20	2:1	100	BH3
MBM0208G2423	2-8	24	1.8	4	23	2:1	100	BH3/BH4
MBM0208G3020	2-8	30	2	3.5	-10~20	2:1	350	BH3
MBM0208G3030	2-8	30	2	5	30	2.5:1	1500	BH8
MBM0208G3230	2-8	32	2	4	30	2:1	100	BH3/BH4
MBM0208G3820	2-8	38	2	4.5	20	2:1	100	BH3/BH4
MBM0218G1317	2-18	13	2	6	17	2:1	200	BH2
MBM0218G1621	2-18	16-18	1.25	6	21	2:1	500	DH4
MBM0218G1822	2-18	18	2	7	22	2.2:1	380	DH4
MBM0218G2015	2-18	20	2	4(Typ.)	15	2:1	220	BH2
MBM0218G2123	2-18	21	2	6	23	2:1	350	BH3/BH4
MBM0218G2222	2-18	22	2	4.5(typ)	22	2:1	200	DH4
MBM0218G2423	2-18	24	1.5	4.5	23	-10dB	500-1000	PM209
MBM0218G2820	2-18	28	2	5	20	2:1	300	BH3
MBM0218G3020	2-18	30	2	3.5	20	2:1	300	BH2
MBM0218G3023	2-18	30	1.5	6	23	2:1	400	DH4
MBM0218G3430	2-18	34	2.5	/	27	2.3:2.5	1.5A	BH8
MBM0218G3520	2-18	35	2.5	5.5	20	2.2:1	300	BH3
MBM0220G2123	2-20	21	2	6	23	2:1	300	DH4
MBM0202G2027	2.2-2.3	20	0.75(Typ)	/	0.5W	1.5:1	1A	DH10
MBM0305G3636	3-5	36	1.5	6	36	2:1	8V/4A	PM8
MBM0408G1020	4-8	10	1.5	5	20	2:1	200	BH3/BH4
MBM0408G2523	4-8	25	1.5	3.5	23	2:1	100	BH3/BH4
MBM0408G2530	4-8	25	1.5	4	30	2:1	1000	BH8
MBM0408G2620	4-8	26	1.5	2	20	2:1	240	BH3/BH4
MBM0408G3220	4-8	32	1.8	3.5	20	2:1	100	BH3/BH4
MBM0408G3823	4-8	38	1.8	3.5	23	2:1	100	BH3/BH4
MBM0408G3820	4-8	38	2	4	20	2:1	100	BH3/BH4
MBM0408G3020	4-8	30	1.5	4	20	2:1	250	BH3/BH4
MBM0408G4033	4-8	40	1	6	33	2:1	2.4A	DH24
MBM0408C4033	4-8	40	1.5	6	33	2:1	2A	DH26
MBM0418G2730	4-18	27	2	6	30	2:1	1.3A	BH8



WIDE BAND MEDIUM POWER AMPLIFIER

Part Number	Frequency Range (GHz)	Gain (dB.Min)	SS Flatness (\pm dB.Max.)	N.F (dB.Max)	P1dB (dBm.min)	VSWR Max	Current@ 12-15 VDC (mA. Typ)	Case Type
MBM0506G3023	5-6	30	1	4	23	1.8:1	350	BH3
MBM0510G2818	5.75-10.25	28	1.5	6	18	1.2:1	250	BH2
MBM0612G2427	6-12	24	1.5	6	27	2:1	100	BH3/BH4
MBM0612G2429	6-12	24	1.5	6.5	29	2:1	200	BH3/BH4
MBM0612G3020	6-12	30	1.5	4	20	2:1	250	BH3/BH4
MBM0612G3027	6-12	30	1.75	6	27	2:1	100	BH3/BH4
MBM0612G3023	6-12	30	1.75	6	23	2:1	100	BH3/BH4
MBM0612G3030	6-12	30	1.75	6.5	30	2:1	100	BH3/BH4
MBM0612G3523	6-12	35	1.5	6	23	2:1	100	BH3/BH4
MBM0612G4027	6-12	40	2	6	27	2:1	100	BH3/BH4
MBM0612G4023	6-12	40	2	6	23	2:1	100	BH3/BH4
MBM0612G4029	6-12	40	2	6.5	29	2:1	100	BH3/BH4
MBM0618G1820	6-18	18	1.8	4.5	20	2:1	100	BH3/BH4
MBM0618G2223	6-18	22	1.5	6	23	2:1	100	BH3/BH4
MBM0618G2327	6-18	23-30	1.5	6	27	2:1	300	DH10
MBM0618C2327	6-18	23-30	1.5	5.5	27	2:1	500	BH51
MBM0618C2427	6-18	23-30	1.5	6	27	2:1	300	DH22
MBM0618G2427	6-18	23-30	2.5	6	27	2:1	800	DH21
MBM0618G2328	6-18	23-30	1.5	5.5	28	2:1	6V/1.1A	BH51
MBM0618G2420	6-18	24	1.5	4.2	20	2:1	100	BH3/BH4
MBM0618G2527	6-18	25	1.5	6	27	2:1	100	BH3/BH4
MBM0618G2529	6-18	25	2.75	5	29	2:1	100	DH4
MBM0618G2530	6-18	25	2	5.5	30	2:1	1300	BH8
MBM0618G2627	6-18	26	2	6	27	2:1	100	BH3/BH4
MBM0618G2824	6-18	28	1.5	6	24	2:1	500	DH4
MBM0618G3023	6-18	30	1.75	6	23	2:1	100	BH3/BH4
MBM0618G3020	6-18	30	1.8	5	20	2:1	280	BH3/BH4
MBM0618G3027	6-18	30	2.5	6	27	2:1	100	BH3/BH4
MBM0618G3030	6-18	30-36	2	6	30	2:1/2.5:1	1000	BH8
MBM0618G3120	6-18	31	1.8	4.2	20	2:1	100	BH3/BH4
MBM0618G3131	6-18	31	2.75	8	31	2:1	2.7A	DH10
MBM0618G3323	6-18	33-40	1.5	5	23	2:1	300	DH4
MBM0618G3520	6-18	35	2	4.5	20	2:1	400	BH3



WIDE BAND MEDIUM POWER AMPLIFIER

Part Number	Frequency Range (GHz)	Gain (dB.Min)	SS Flatness (±dB.Max.)	N.F (dB.Max)	P1dB (dBm.min)	VSWR Max	Current@ 12-15 VDC (mA. Typ)	Case Type
MBM0618G3530	6-18	35-40	2.5	5(typ)	30	2:1	1.5	BH8
MBM0618G3819	6-18	38	2	2.5	19	2:1	150	BH3
MBM0618G3823	6-18	38	2	6	23	2:1	250	DH4
MBM0618G3820	6-18	38	2.2	4.5	20	2:1	100	BH3/BH4
MBM0618G3827	6-18	38	2	5.5	27	2:1	100	BH8
MBM0618G3829	6-18	38	3.5	5	29	2:1	8V/500mA	BH8
MBM0618G4023	6-18	40	2.5	8	23	2:1	450	DH6
MBM0618G4038	6-18	40	5	12	38	2.1:2.3	8V/12.5	BH18
MBM0618G4520	6-18	45	2.2	4.5	20	2:1	100	BH3/BH4
MBM0618G5525	6-18	55	3	3	25	2:1	200	BH8
MBM0712G3030	7-12	30	1.2(Typ)	/	30	2:1	2.4A	BH8
MBM0810G3531	8-10	35	2	6	31	2:1	600	BH8
MBM0812G1023	8-12	10-15	1.5	/	21-23	2:1	300	BH2
MBM0812G1820	8-12	18	1.8	4.5	20	2:1	100	BH3/BH4
MBM0812G2019	8-12	20-30	1.5	2.2	19-20	2:1	200	BH2
MBM0812G2022	8-12	20-30	1.5	2.2	22	2:1	200	BH2
MBM0812G2230	8-12	22	1.5	6	30	2:1	850	BH8
MBM0812G2420	8-12	24	1.4	3.5	20	2:1	100	BH3/BH4
MBM0812G2620	8-12	26	1.5	2	20	2:1	240	BH3/BH4
MBM0812G2632	8-12	26	3	6	32	2:1	600	BH8
MBM0812G3020	8-12	30	1	5	20	2:1	350	DH4
MBM0812G3030	8-12	30	1	8	30	2:1	1.6A	DH10
MBM0812G3230	8-12	32~35	1.5	5.5(typ)	30	2:1	1.2A	BH8
MBM0812G3920	8-12	39	1.8	4	20	2:1	100	BH3/BH4
MBM0812G4520	8-12	45	1.8	5	20	2:1	100	BH3/BH4
MBM0812G2423	8-12.4	24	1	5.5	23	2:1	100	BH3
MBM0812G2427	8-12.4	24	1.5	6	27	2:1	100	BH3/BH4
MBM0812G2429	8-12.4	24	1.75	6	29	2:1	100	BH3/BH4
MBM0812G3023	8-12.4	30	1.5	5	23	2:1	100	BH3/BH4
MBM0812G3027	8-12.4	30	1.75	4	27	2:1	100	BH8
MBM0812G3823	8-12.4	38	1.75	5	23	2:1	500	BH3/BH4
MBM0812G3827	8-12.4	38	2	4.5	27	2:1	100	BH3/BH4
MBM0812G3829	8-12.4	38	1.5	5.5	29	2:1	1200	BH8
MBM0818C1321	8-18	13.5-15.5	1.5	6	21	2:1	350	BH32
MBM0818G1321	8-18	13.5-15.5	1.5	6	21	2:1	150	DH4



WIDE BAND MEDIUM POWER AMPLIFIER

Part Number	Frequency Range (GHz)	Gain (dB.Min)	SS Flatness (\pm dB.Max.)	N.F (dB.Max)	P1dB (dBm.min)	VSWR Max	Current@ 12-15 VDC (mA. Typ)	Case Type
MBM0818G1820	8-18	18	1.8	4	20	2:1	100	BH3
MBM0818G1827	8-18	18	2	6(TYP)	27	2:1	700	BH8
MBM0818G2025	8-18	20-25	2	5	25	2:1	800	BH3/BH4
MBM0818G2330	8-18	23	2	6(TYP)	30	2:1	700	BH8
MBM0818G2423	8-18	24	1.5	5	23	2:1	300	DH4
MBM0818G2420	8-18	24	1.8	4	20	2:1	100	BH3
MBM0818C2521	8-18	25-30	2	6	21	2:1	400	BH30
MBM0818G2521	8-18	25-30	2	6	21	2:1	150	DH4
MBM0818G2627	8-18	26	2	5.5	27	2:1	300	BH8
MBM0818G2829	8-18	28	2	5.5	29	2:1	1200	BH8
MBM0818G3023	8-18	30	1.5	6	23	2:1	100	BH3/BH4
MBM0818C3131	8-18	31	2	6	31	2:1	2A	DH16
MBM0818G3131	8-18	31	2	6	31	2:1	2A	DH24
MBM0818G3220	8-18	32	1.8	4	20	2:1	200	BH3/BH4
MBM0818G3427	8-18	34	2	6	27	2:1	100	BH3/BH4
MBM0818G3430	8-18	34	3	6	30	2:1	100	BH3/BH4
MBM0818G3531	8-18	35	2	6	31	2:1	2A	DH21
MBM0818G3823	8-18	38	1.75	7.5	23	2:1	100	BH3/BH4
MBM0818G3920	8-18	39	2	4.5	20	2:1	200	BH3/BH4
MBM0818G4027	8-18	40	2.5	6.5	27	2:1	100	BH3/BH4
MBM0818G4029	8-18	40	3	6	29	2:1	100	BH3/BH4
MBM0818G4520	8-18	45	2	4.5	20	2:1	200	BH3/BH4
MBM1013G3632	10-13	36	3 Typ	/	32	2.1/2.3	8V/4A	BH18
MBM1013G3636	10-13	36	5	12	36	2.1:2.3	8V/4A	BH18
MBM1018G3520	10-18	35	2.5	5.5	20	2.2:1	150	BH3/BH4
MBM1012G5020	10.7-12	50	2	1.5	20	1.5:1	150	BH47
MBM1012G2022	10.7-12.75	20-22	1.4	2	22	1.7:1.6	200	BH3/BH4
MBM1020G1518	10-20	15	1.5(Typ)	/	18	2:1	180	BH2
MBM1215G1522	12-15	15-18	1	/	22	2:1	300	BH48
MBM1216G3025	12-16	30	1	/	25	2:1	8V/250mA	DH23
MBM1217G2822	12-17	28	1.5	6	22	2:1	400	DH4
MBM1218G1325	12-18	12-17	1.5	/	25	2:1	500	DH4
MBM1218G1626	12-18	16	1.5	/	26	2:1	800	BH8
MBM1218G2025	12-18	20	2.5	6	25	2:1	500	DH4
MBM1218G2620	12-18	26	1.8	2.5	20	2:1	300	BH3/BH4



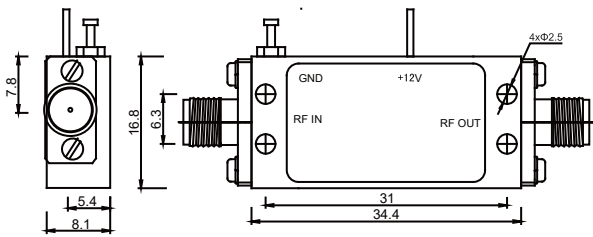
WIDE BAND MEDIUM POWER AMPLIFIER

Part Number	Frequency Range (GHz)	Gain (dB.Min)	SS Flatness (\pm dB.Max.)	N.F (dB.Max)	P1dB (dBm.min)	VSWR Max	Current@ 12-15 VDC (mA. Typ)	Case Type
MBM1218G2827	12-18	28	2	5.5	27	2:1	200	BH3/BH4
MBM1218G2830	12-18	28	2	5.5	30	2:1	1200	BH8
MBM1218G3020	12-18	30	1.5	3	20	2:1	300	BH3
MBM1218G3023	12-18	30	1.5	5	23	2:1	200	BH3/BH4
MBM1218G3030	12-18	30	1.5(Typ)	/	30	2:1	1.4A	BH8
MBM1218G3330	12-18	33	2	8	30	2:1	1.2A	BH8
MBM1218G3326	12-18	36	1.75	5	23	2:1	200	BH3/BH4
MBM1218G3827	12-18	38	2.5	5	27	2:1	200	BH3/BH4
MBM1218G3830	12-18	38	2	5.5	30	2:1	1200	BH8
MBM1218G4520	12-18	45	1.25	6	20	2:1	200	BH3/BH4
MBM1219G2729	12-19	27	1.5(Typ.)	4	29	2:1	1133	BH23
MBM1415G3030	14-15	30	0.5	3	30	1.8:1	1300	BH3/BH4
MBM1425G2321	14-25	23	2.5	5	21	2.2:1	350	DH4
MBM1415G3030	14.5-15.5	30	0.5(Typ.)	3.5	30	1.5(Typ.)	8V/1.5A	BH50
MBM1518G3531	15-18	35	2	6	31	2:1	600	BH8
MBM1524G3729	15-24	37	2(Typ.)	/	29	2:1	750	BH23
MBM1527G3330	15-27	33	1.5(Typ.)	4	30	1.5-1.3	1A	BH23
MBM1617G3030	16-17	30	0.5	3	30	1.8:1	1300	BH3/BH4
MBM1618G1525	16-18	15	1.2	/	25	1.6:1	1.8A	BH72-2
MBM1618G3530	16-18	35	1(Typ.)	5	30	1.8/2	1.5A	DH10
MBM1617G3820	16.5-17.5	38	1	/	20	-10dB	18-28V	PM209
MBM1721G2523	17-21	25(Typ)	1(Typ)	/	23	2:1(Typ)	5V/400mA	BH23
MBM1826G2020	18-26	20	1.5	3	20	2:1	250	DH4
MBM1826G2321	18-26.5	23	2.5	5	21	2.2:1	350	BH23
MBM1840G1923	18-40	19(Typ)	2	6	23	2.2:1	5V/140	BH2
MBM1840G2530	18-40	25	2.5(Typ)	/	30	1.5/2(Typ)	6V/1.2A	PM76-10
MBM1840G3032	18-40	30	2.5(Typ)	/	32(Typ)	1.5/2(Typ)	6V	PM76-7
MBM1840G3033	18-40	30	2.5(Typ)	/	33	1.5/2(Typ)	28V/350	PM76-7
MBM2125G2922	21-25	29	2	6	22	2:1	400	DH4
MLB2426G3028	24.5-26.5	30-34	1	5	28	2:1	900	BH21
MBM2432G3033	24-32	30	2.5(Typ)	/	33(Psat)	2.2:1	3.5A	BH21
MBM2440G2030	24-40	20	2.5(Typ)	/	30	1.5/2(Typ)	6V/1.2A	PM76-10
MBM2540G4833	25-40	48	3.5(Typ)	/	33	2:1(Typ)	6V/3.5A	PM67-2
MBM2731G3027	27-31	30	1.5(Typ)	/	27	2:1(Typ)	8V/1A	BH23
MBM2643G4020	26-43	40(Typ)	1(Typ)	/	20	1.8:1(Typ)	5V/650mA	BH23

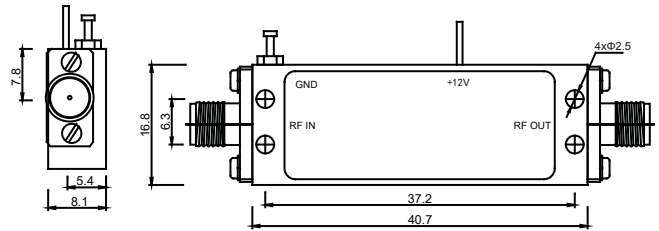


WIDE BAND MEDIUM POWER AMPLIFIER

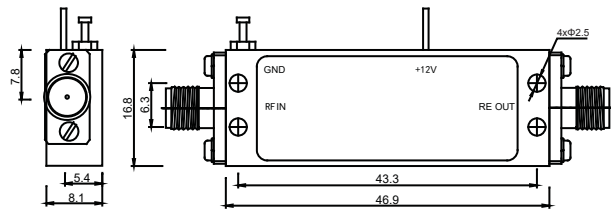
Part Number	Frequency Range (GHz)	Gain (dB.Min)	SS Flatness (\pm dB.Max.)	N.F (dB.Max)	P1dB (dBm.min)	VSWR Max	Current@ 12-15 VDC (mA. Typ)	Case Type
MBM3435G4320	34-35	43	1	/	20	-10dB	18-28V	PM209
MBM3436G2424	34-36	24-26	1	7	24	1.8:1	550	BH21
MBM3436G2825	34-36	26.5-29.5	1	5	25	1.8:1	600	BH21
MBM3436G3027	34-36	30	1.2	5.5	25	2.5:1	550	BH21
MBM3436G3029	34-36	30	2	4.5	29	2.5:1	550	BH21
MBM3538G2530	35-38	25	/	/	30	/	6V/1.5A	BH64
MBM3745G3020	37-45	30	1.5(Typ)	5	20	2:19Typ)	350	BH23
MBM3842G2530	38-42	25	/	/	30	/	6V/1.5A	BH64-2
MBM4060G3020	40-60	30(Typ)	2.5(Typ)	/	220	2:1(Typ.)	5V/900	80*60*20
MBM5075G2523	50-75	25	2(Typ.)	/	3	2:1(Typ.)	5V/1.2A	PM76-5
MBM5566G2017	55-66	20(Typ.)	1.5(Typ.)	/	17	2:1(Typ.)	5V/500mA	BH44-2
MBM7590G1516	75-90	15(Typ.)	1(Typ.)	/	16(Psat)	1.5:1(Typ.)	5V/300	PM71



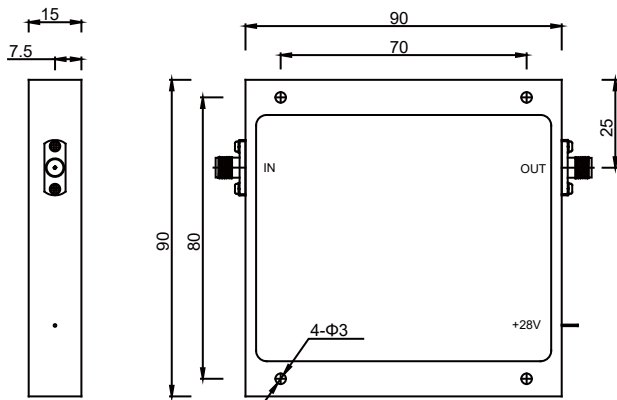
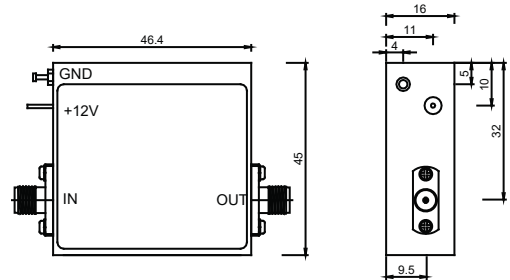
BH2



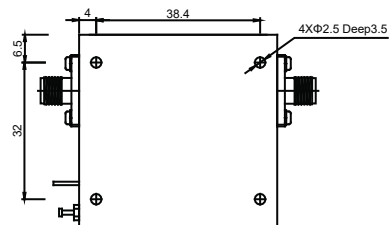
BH3



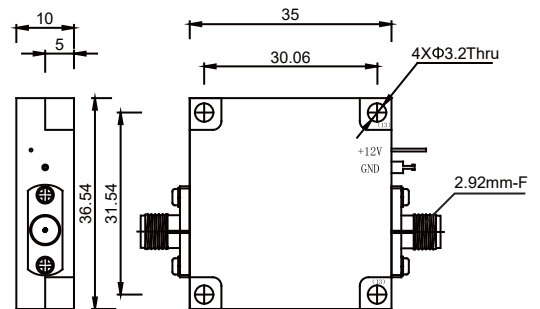
BH4



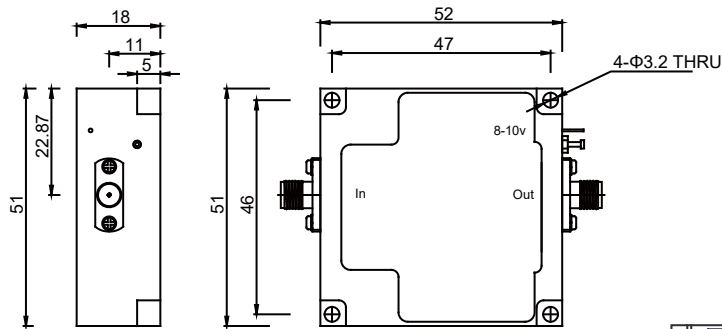
BH17



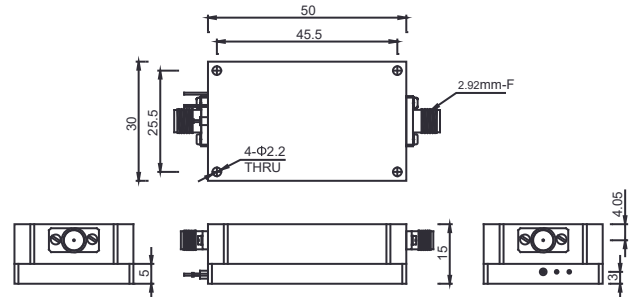
BH8



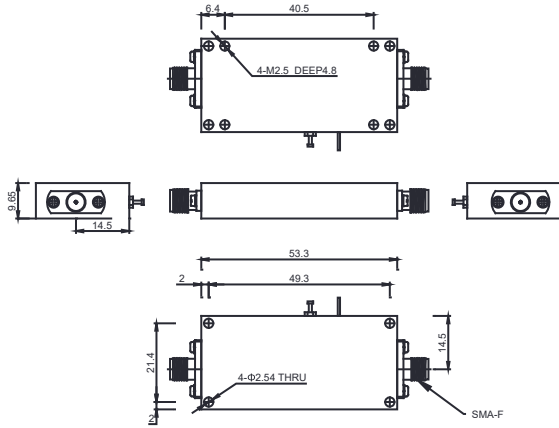
BH21



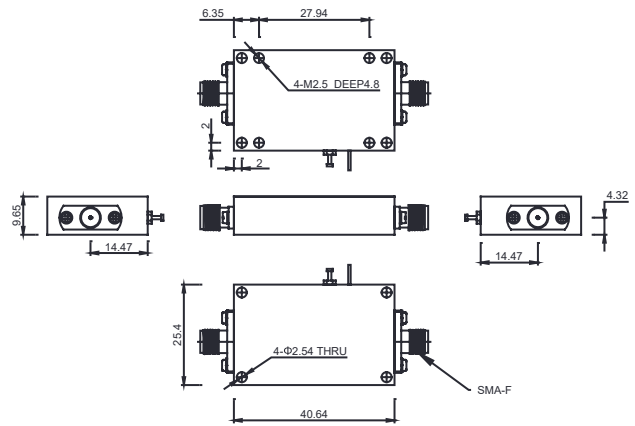
BH18



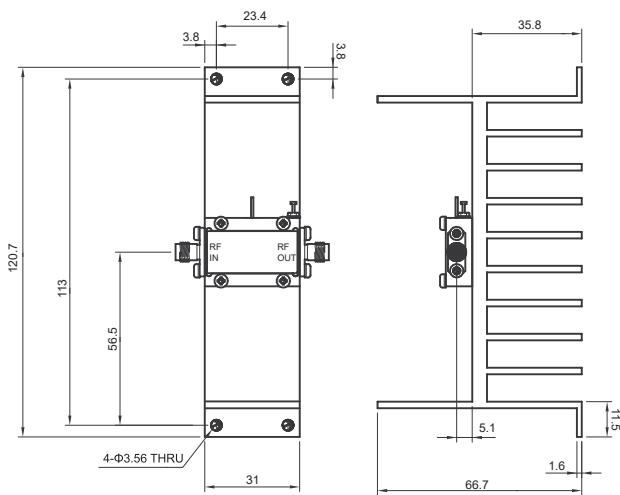
BH23



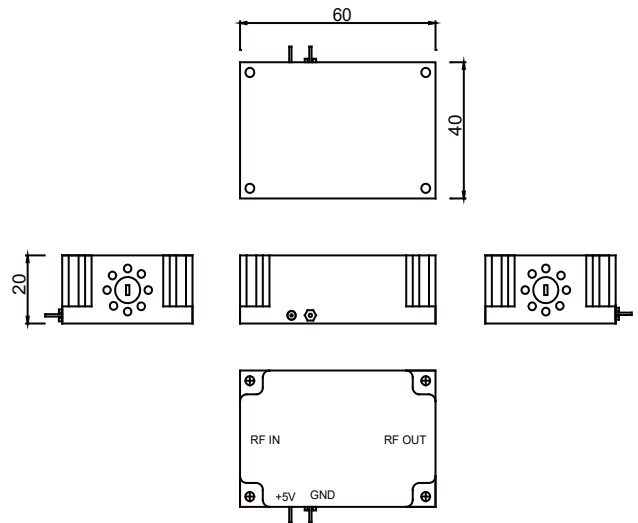
BH30



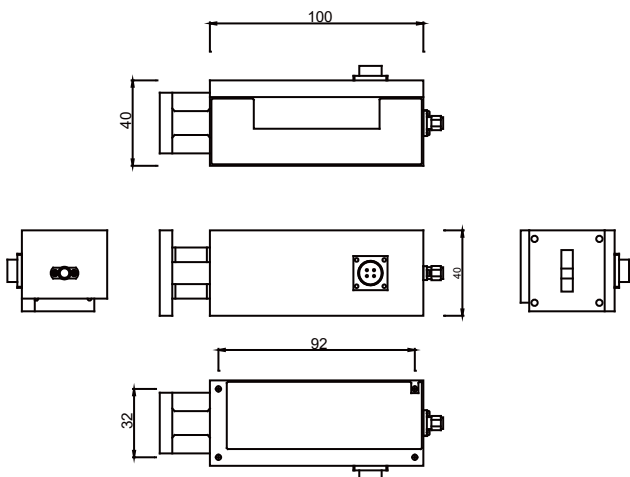
BH32



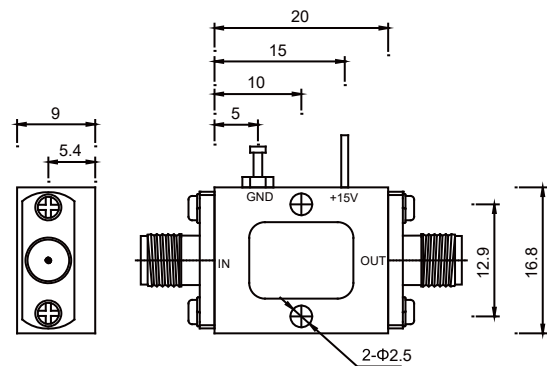
BH38



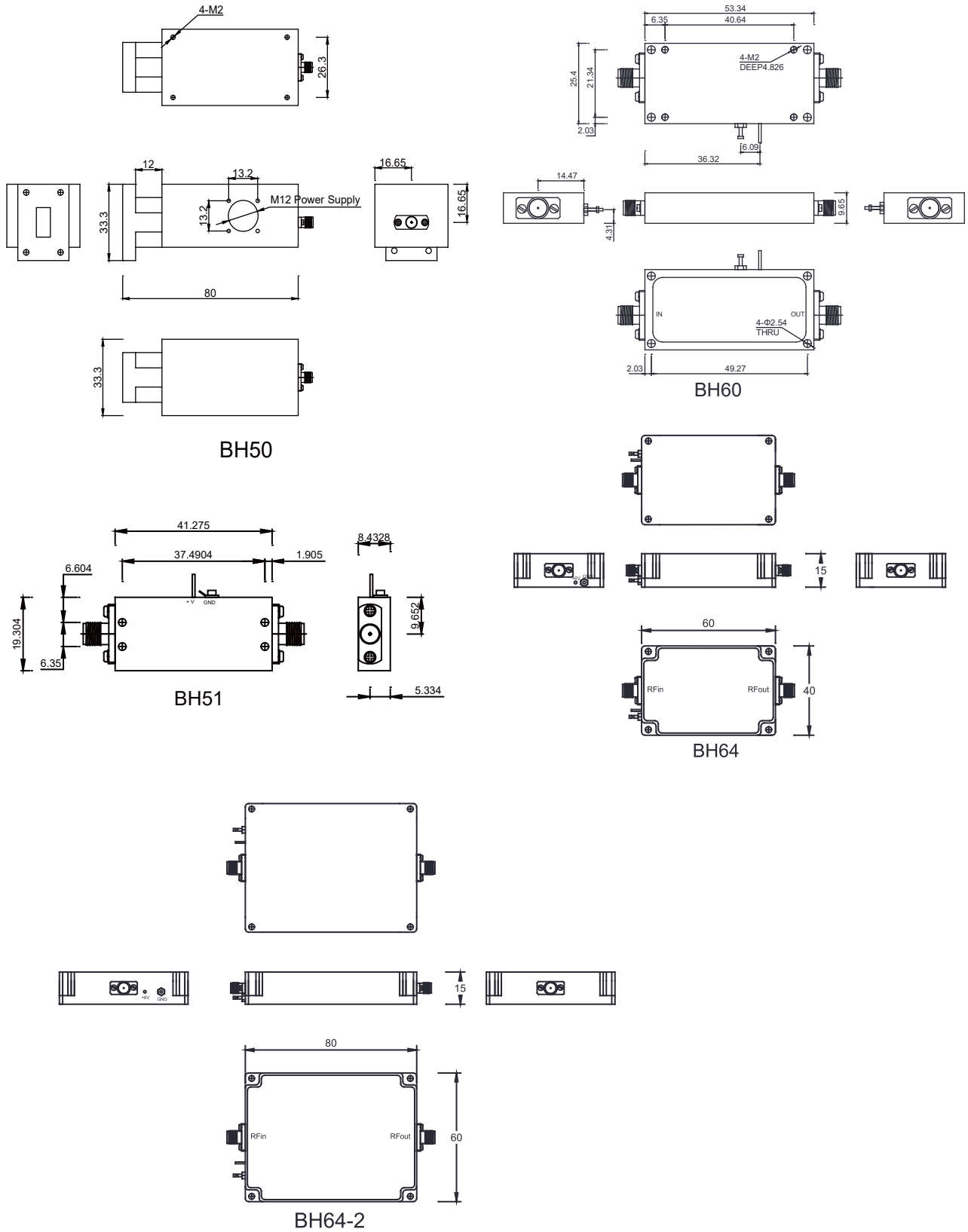
BH44-2

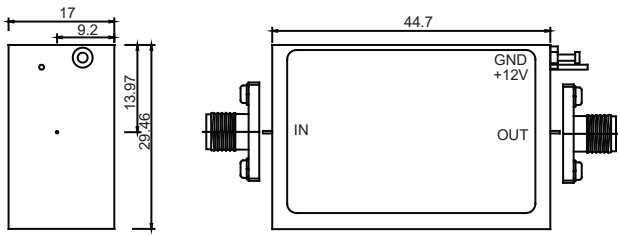


BH47

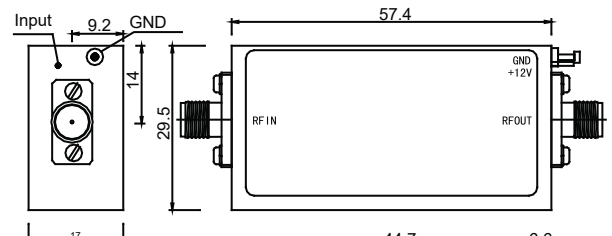


BH48

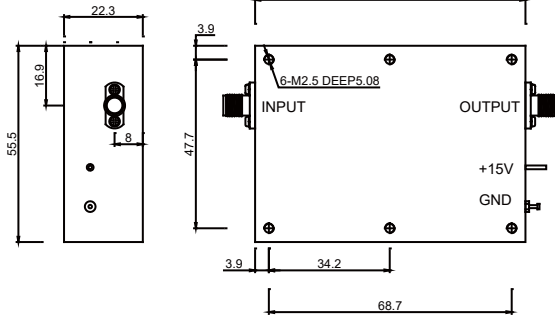
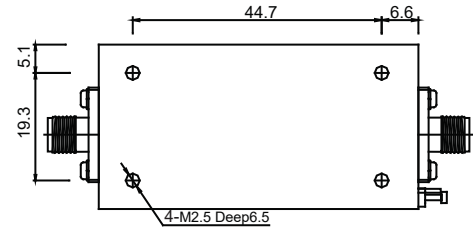
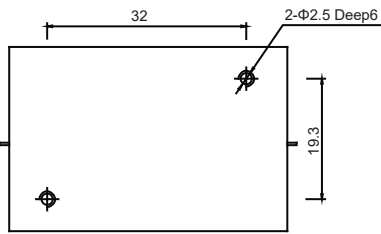




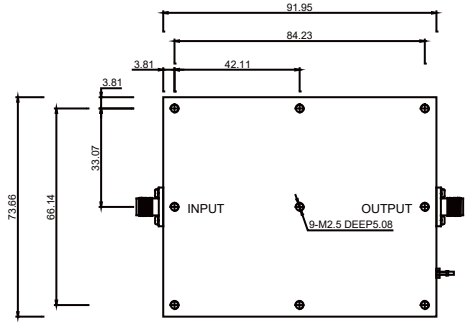
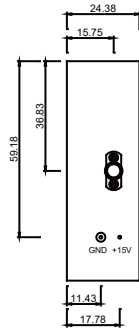
DH4



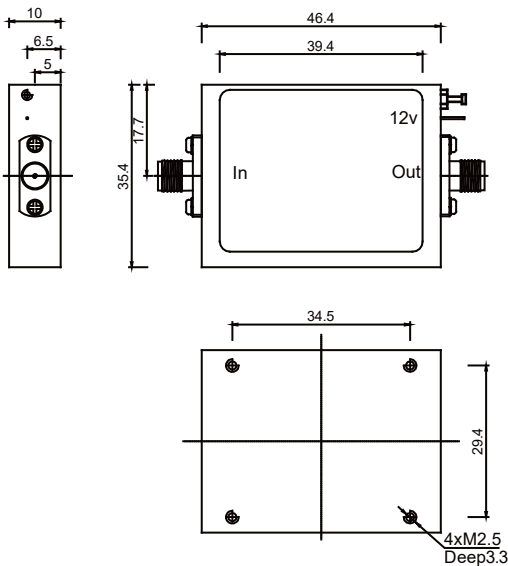
DH6



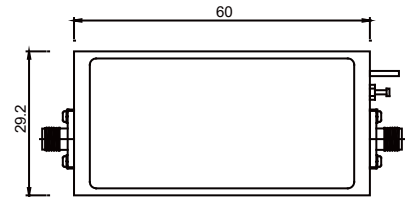
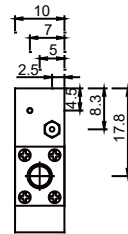
DH16



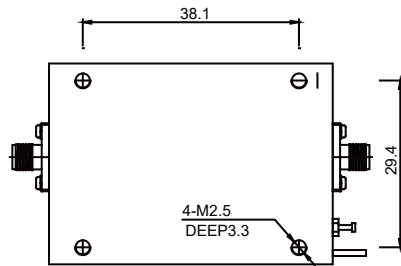
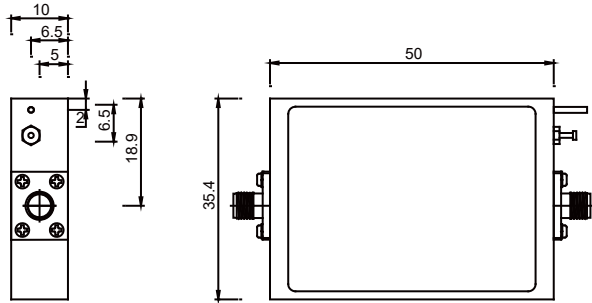
DH17



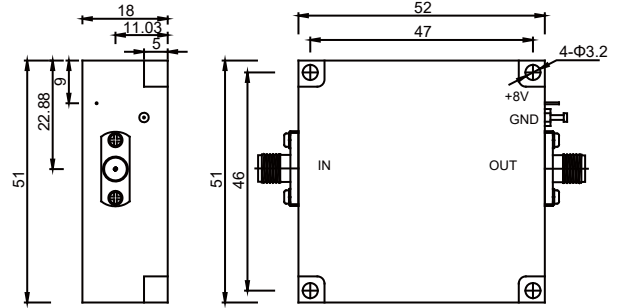
DH10



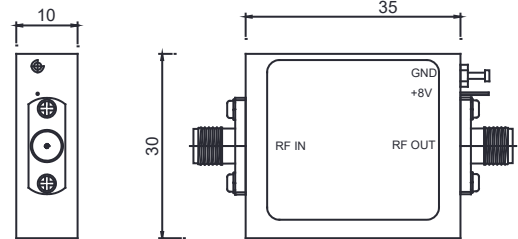
DH20



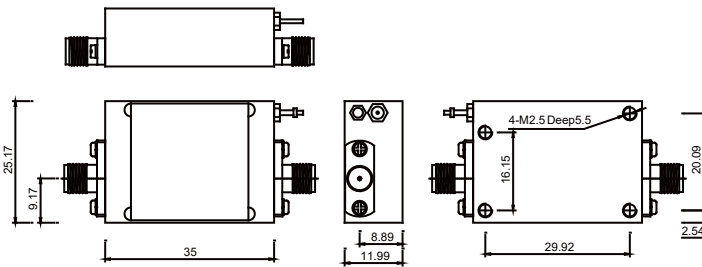
DH21



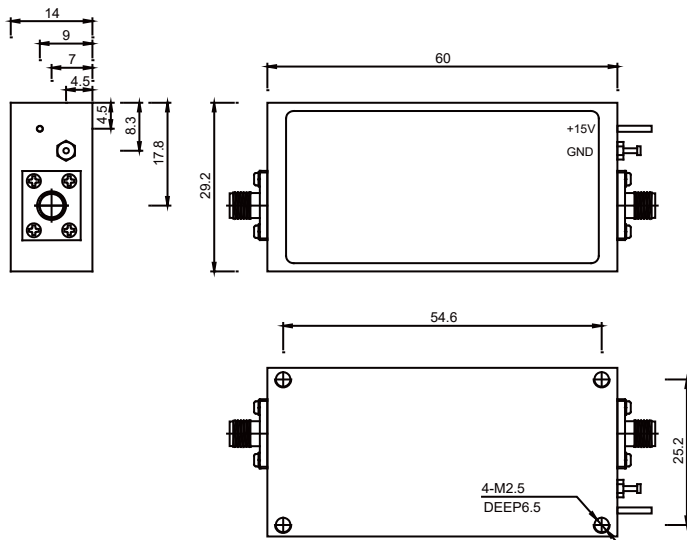
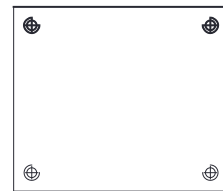
PM8



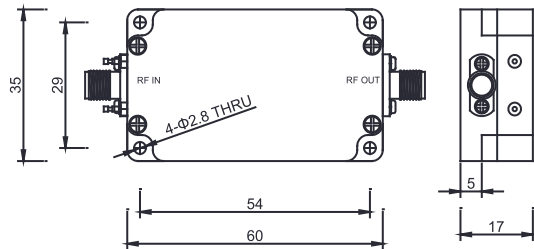
DH23



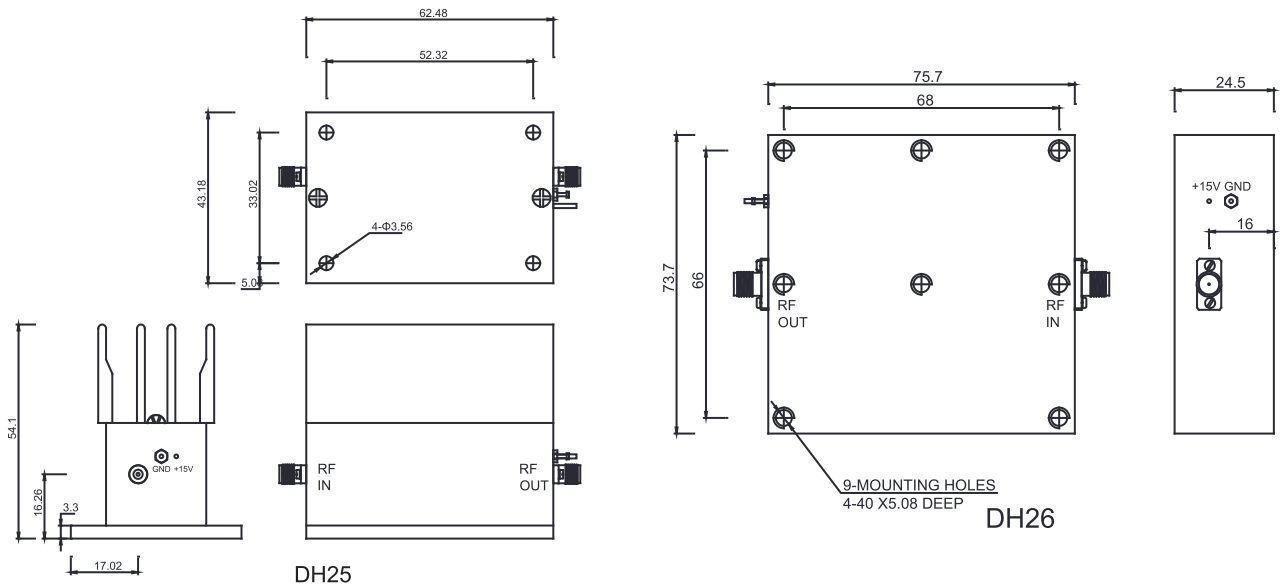
DH22

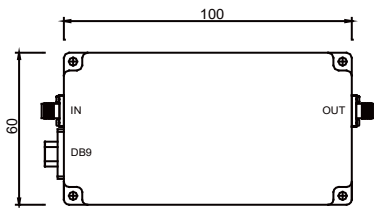
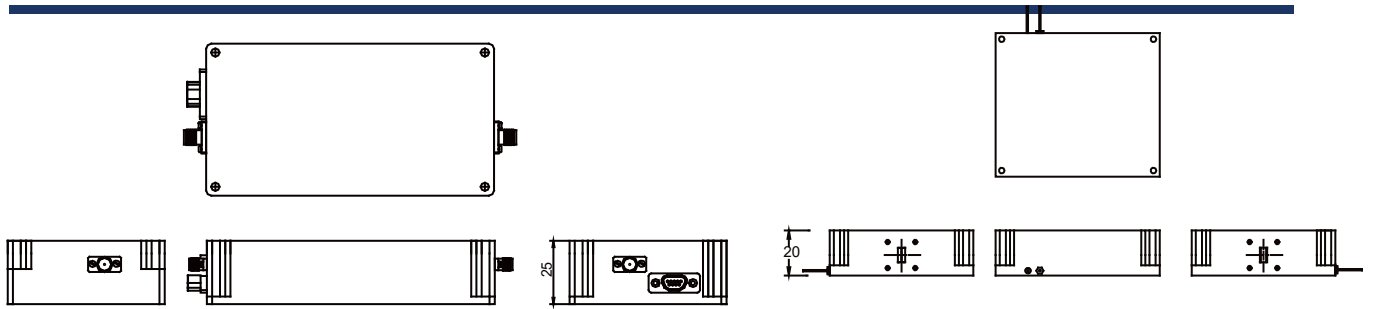


DH24

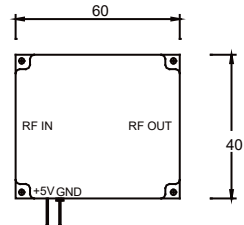


PM26-15

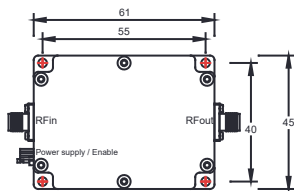
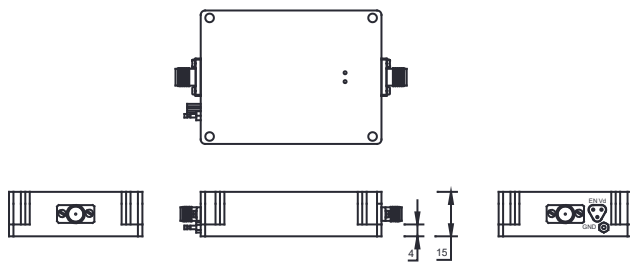




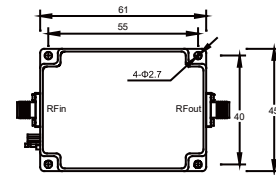
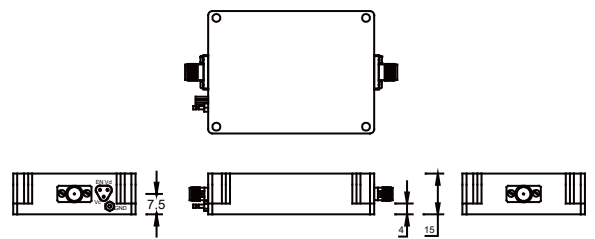
PM66-4



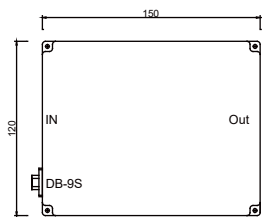
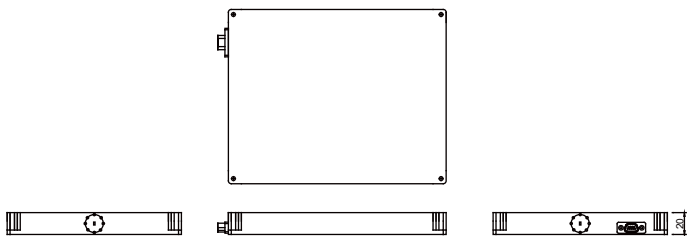
PM71



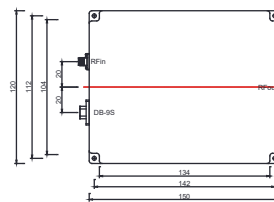
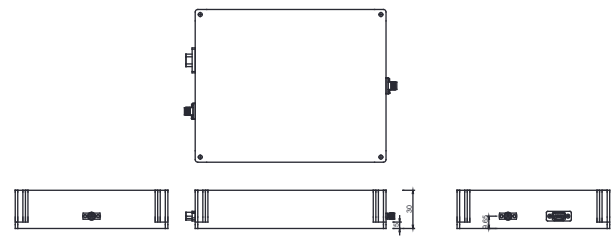
PM67



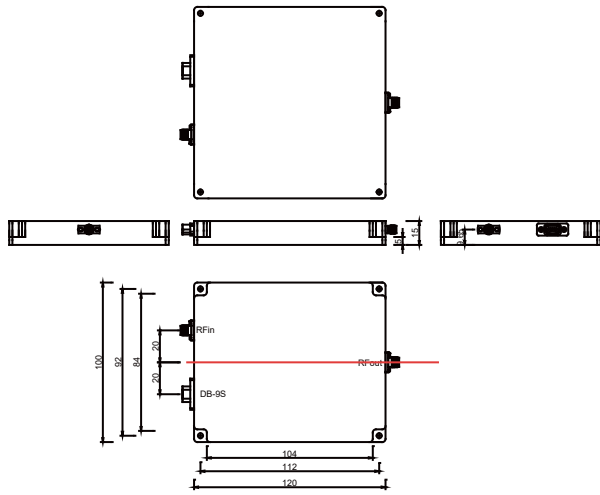
PM67-2



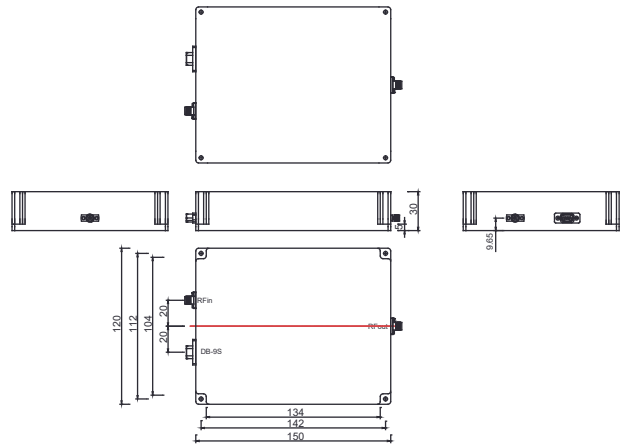
PM76-5



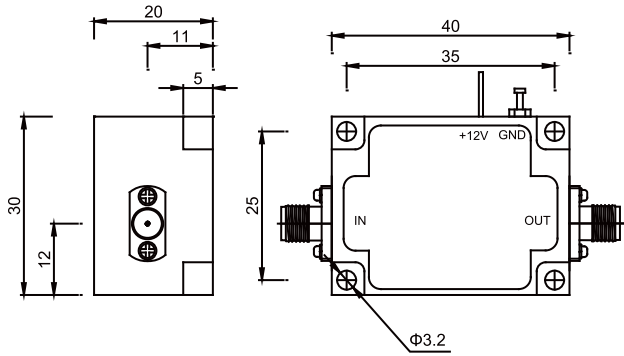
PM76-7



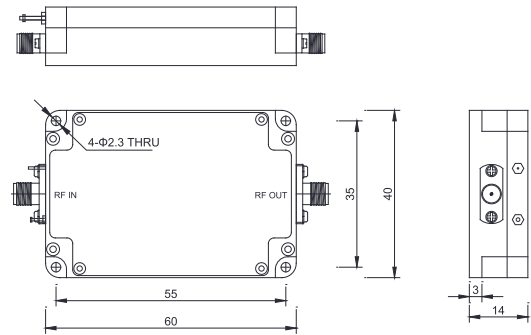
PM76-9



PM76-10



PM72-2



PM209